

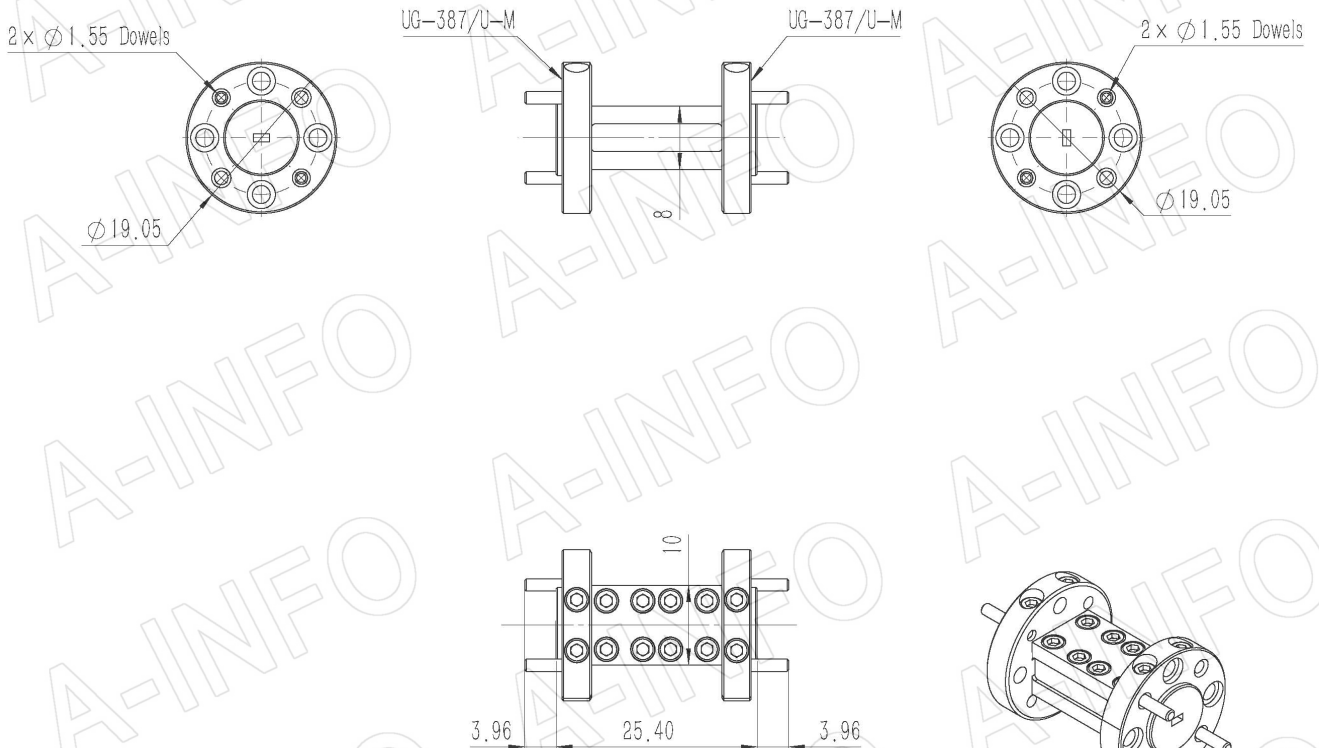
For reference only. See data sheet for the detailed specifications.

## Technical Specification



EIA WR	WR8
Frequency Range(GHz)	90.0 – 140.0
Twist Type	Right-Handed
Twist Degree(deg)	90
Insertion Loss(dB)	0.3 Max.
VSWR	1.15:1 Max.
Flange	UG-387/U-M
Material	Cu
Size(mm)	25.4 x 19.05 x 19.05
Net Weight(Kg)	0.03 Around

## Outline Drawing (Size: mm)



**AINFO Inc.**

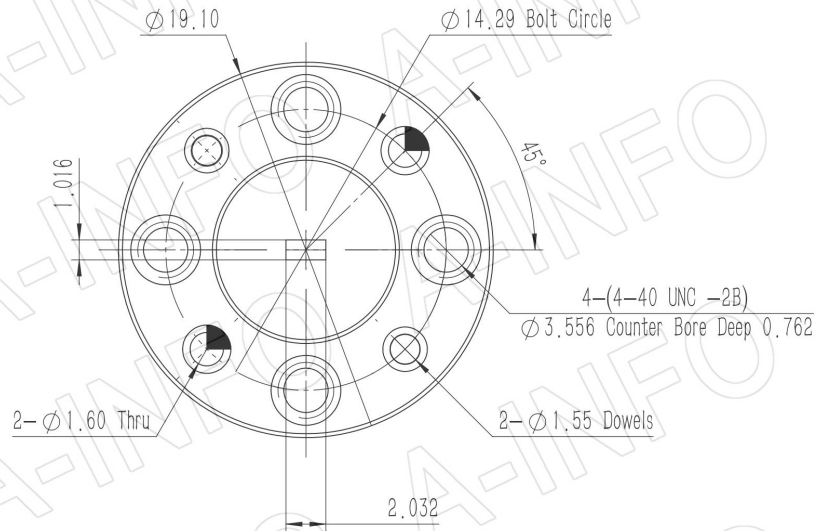
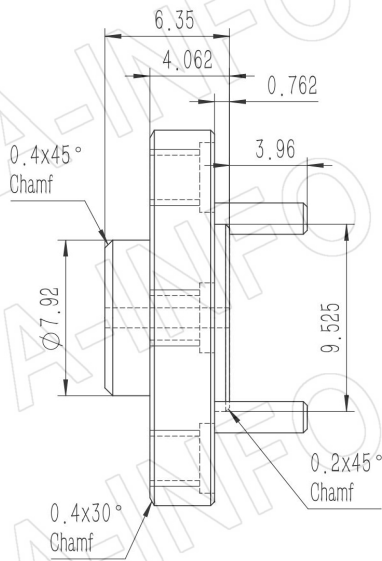
China(Beijing): Tel: (+86) 10-6266-7326,  
China(Chengdu): Tel: (+86) 28-8519-2786,  
USA : Tel: (+1) 949-639-9688,

Page 1 of 3

(+86) 10-6266-7327 Fax: (+86) 10-6266-7379  
(+86) 28-8519-3044 Fax: (+86) 28-8519-3068  
(+1) 949-639-9608 Fax: (+1) 949-639-9670

Website: [www.ainfoinc.com](http://www.ainfoinc.com)  
Email: [sales@ainfoinc.com](mailto:sales@ainfoinc.com)

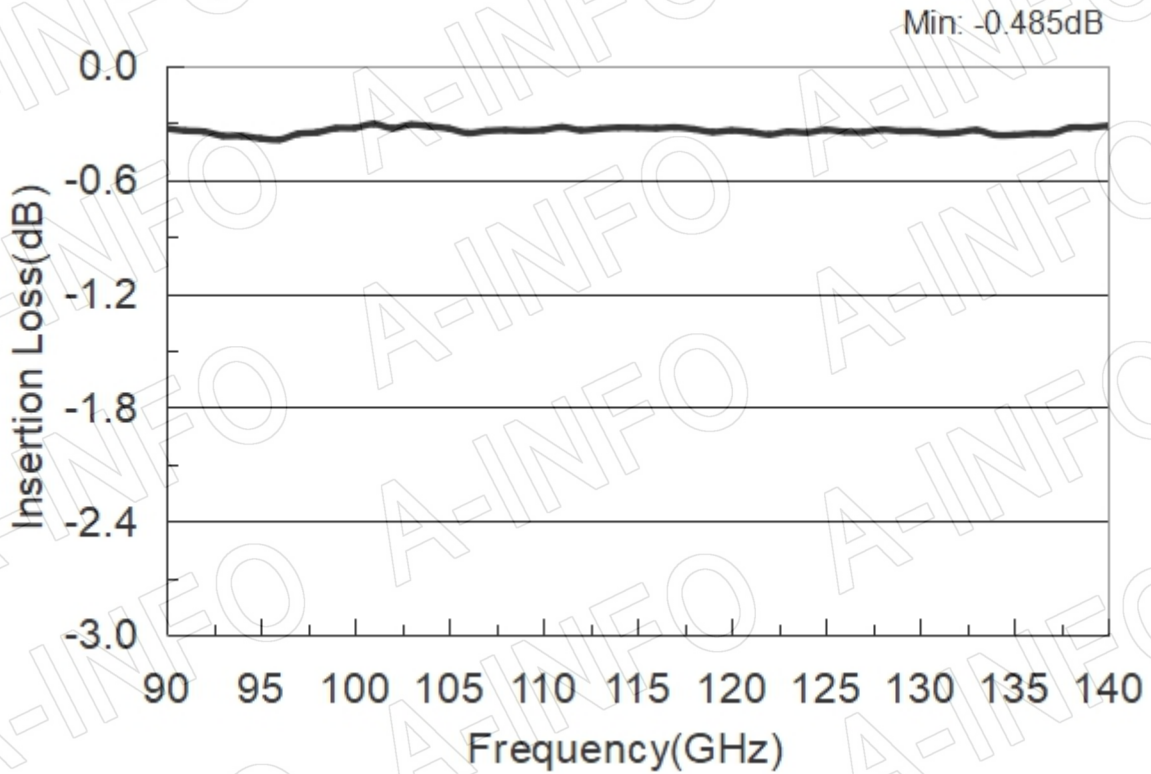
## Flange Drawing (Size: mm)



UG-387/U-M

## Test Results

I.L. (Test with two Waveguides back to back)



VSWR

